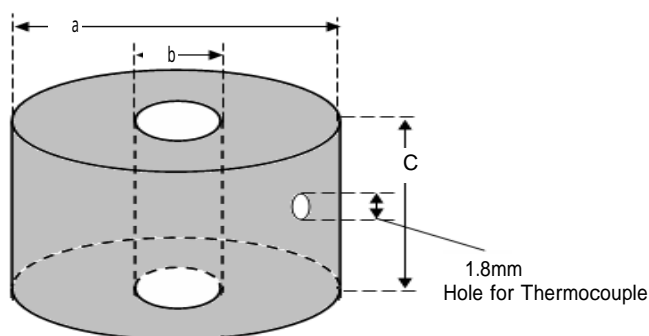


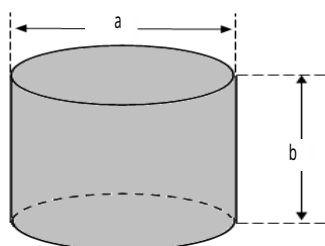
Name	Dimension(mm)			Remarks	Code No	Amount	Price (JPY)
	Os (a)	Is (b)	High (c)				
SPS Gr Die (Standard)	For 10	30 / 10	× 30	For SPS211Lx, 511, 515	HD-01	1 pc	3,800
		30 / 10.5	× 30	" (For Carbon Paper)	HD-02	1 pc	3,800
	For 15	30 / 15	× 30	"	HD-03	1 pc	3,800
		30 / 15.5	× 30	" (For Carbon Paper)	HD-04	1 pc	3,800
	For 20	40 / 20	× 40	"	HD-05	1 pc	4,800
		40 / 20.5	× 40	" (For Carbon Paper)	HD-06	1 pc	4,800
	For 30	50 / 20	× 40		HD-07	1 pc	5,500
		50 / 20.5	× 40	For Carbon Paper	HD-08	1 pc	5,500
		70 / 30	× 60		HD-09	1 pc	8,500
		70 / 30.5	× 60	For Carbon Paper	HD-10	1 pc	8,500
SPS Gr Die (High Strength)	For 10	30 / 10	× 30	For SPS211Lx, 511, 515	KD-01	1 pc	12,000
		30 / 10.5	× 30	" (For Carbon Paper)	KD-02	1 pc	12,000
	For 15	30 / 15	× 30	"	KD-03	1 pc	12,600
		30 / 15.5	× 30	" (For Carbon Paper)	KD-04	1 pc	12,600
	For 20	40 / 20	× 40	"	KD-05	1 pc	15,100
		40 / 20.5	× 40	" (For Carbon Paper)	KD-06	1 pc	15,100
	For 30	50 / 20	× 40		KD-07	1 pc	21,000
		50 / 20.5	× 40	For Carbon Paper	KD-08	1 pc	21,000
		70 / 30	× 60		KD-09	1 pc	31,200
		70 / 30.5	× 60	For Carbon Paper	KD-10	1 pc	31,200



SPS Sintering Die



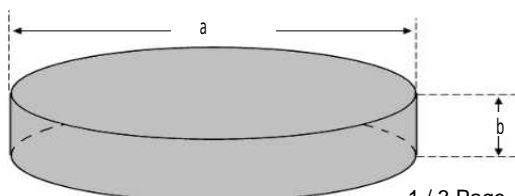
Name	Dimension(mm)		Remarks	Code No	Amount	Price (JPY)
	Os (a)	High (b)				
SPS Gr Punch (Standard)	10	× 20	For HD-01, 02	HP-01	1 pc	1,300
	15	× 20	For HD-03, 04	HP-02	1 pc	1,000
	20	× 20	For HD-05, 06, 07, 08	HP-03	1 pc	1,100
	20	× 25	For HD-05, 06, 07, 08	HP-04	1 pc	1,300
	30	× 30	For HD-09, 10	HP-05	1 pc	1,600
SPS Gr Punch (High Strength)	10	× 20	For KD-01, 02	KP-01	1 pc	3,800
	15	× 20	For KD-03, 04	KP-02	1 pc	3,600
	20	× 20	For KD-05, 06, 07, 08	KP-03	1 pc	3,700
	20	× 25	For KD-05, 06, 07, 08	KP-04	1 pc	5,500
	30	× 30	For KD-09, 10	KP-05	1 pc	7,300



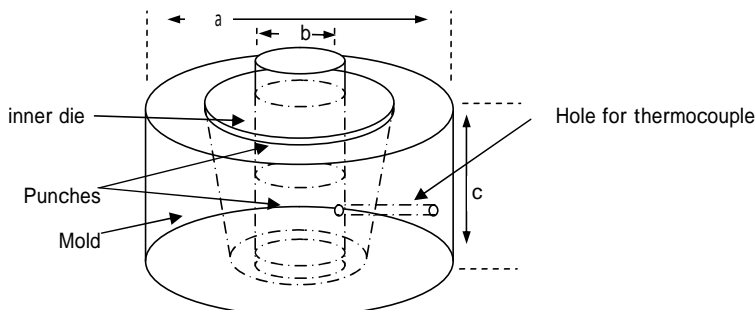
SPS Sintering Punch



Name	Dimension(mm)		Remarks	Code No	Amount	Price (JPY)
	Os (a)	High (b)				
SPS Gr Spacer (Standard)	50	× 30		SS-01	1 Sheet	3,000
	60	× 30		SS-02	1 Sheet	3,800
	80	× 20		SS-03	1 Sheet	4,500
	80	× 40		SS-04	1 Sheet	5,400
	100	× 20		SS-05	1 Sheet	4,800
	120	× 20		SS-06	1 Sheet	6,600
	150	× 20		SS-07	1 Sheet	8,400
	40/60x60mm		Terraced spacer for SPS-211Lx	SS-08	1 Sheet	9,600



Name	Dimension(mm)			Remarks	Code No	Amount	Price (JPY)		
	out (a)	in (b)	High (C)						
WC/Co Mold	Set	For 10	30	10	20	Outer/Inner die , 2Punches	WC-01	1 set	206,400
		For 20	55	20	40	"	WC-02	1 set	340,800
	Punch	10	10	-	10		WC-03	1 pc	21,600
		20	20	-	20		WC-04	1 pc	41,400
	Spacer		40	-	8	2sheets/1set For 20/50kN machine	WC-05	1 set	54,000
			60	-	10	2sheets/1set For 100kN machine	WC-06	1 set	108,000
			90	-	25	2sheets/1set For 200/250kN machine	WC-07	1 set	240,000



Name	Dimension (mm)			Remarks	Code No	Amount	Price (JPY)	
	Type		Long					
Thermocouple	sheath K	1.6	L=400	For SPS211Lx, 511, 515S	Recommend the simultaneous exchange of T.C. Port Seal (ES-09)	ES-01	1 set	10,800
	sheath K	1.6	L=500	For SPS25, 1000, 2000series		ES-02	1 set	12,000
	sheath K	1.6	L=700	For SPS3.20, 5.40, 7.40series		ES-03	1 set	18,000
	R	1.6	L=300	For SPS211Lx, 511, 515S with Al ₂ O ₃ Protecting Tube , Hermetic seal , compensation lead wire , Insulating Cap	ES-04	1 set	64,800	
	R	1.6	L=500	For SPS25, 1000, 2000series with Al ₂ O ₃ Protecting Tube , Hermetic seal , compensation lead wire , Insulating Cap	ES-05	1 set	93,600	
	R	1.6	L=700	For SPS3.20, 5.40, 7.40series with Al ₂ O ₃ Protecting Tube , Hermetic seal , compensation lead wire , Insulating Cap	ES-06	1 set	109,200	
Insulating Cap	-	-	-	For R Type Thermocouple	ES-07	1 pc	12,000	
Compression Fitting (Thermocouple Port)	-	-	-	For 1.6K Type Sheath Thermocouple	ES-08	1 pc	2,600	
T.C. Port Seal	-	-	-	When K type thermo-couples are exchanged, we will Recommend the simultaneous exchange of T.C. Port Seal (ES-09)	ES-09	1 pc	900	
Hermetic Seal	-	-	-		ES-10	1 pc	8,600	
Socket for Hermetic Seal	-	-	-		ES-11	1 pc	3,000	
Torque Limiter Assembly	-	-	-	For SPS511, 515S Chamber drive parts	ES-12	1 pc	120,000	
Friction Plate	-	-	-	4Sheets/1set For Torque Limiter(Slide Plate)	ES-13	1 set	12,400	

Thermocouple



Compression Fitting (Thermocouple Port)



Hermetic Seal



Torque Limiter Assembly



Name	Dimension (mm)	Remarks	Code No	Amount	Price (JPY)
Carbon Paper	550 × 330 × 0.2mm	6sheets/1set	CP-01	1 set	14,400
	550 × 330 × 0.4mm	6sheets/1set	CP-02	1 set	24,000
	550 × 330 × 1.0mm	6sheets/1set	CP-03	1 set	43,200
Carbon Felt	1000 × 1000 × 5mm		CF-01	1sheet	48,000

Name	Dimension(mm), Capacity, etc		Remarks	Code No	Amount	Price (JPY)
Quartz Window Glass	25LAB	Size of Glass 48 × 6	For SPS511, 515S Chamber side	OW-01	1 pc	20,400
	50LAB	Size of Glass 73 × 8	" Chamber front	OW-02	1 pc	27,600
	50	Size of Glass 80 × 8	For SPS25, 1000, 2000series Chamber side	OW-03	1 pc	30,000
	80	Size of Glass 110 × 10	" Chamber front	OW-04	1 pc	72,000
	100	Size of Glass 130 × 10	For SPS3.20series Chamber side	OW-05	1 pc	91,200
	50JR	Size of Glass 70 × 8	For SPS3.20series Chamber front	OW-06	1 pc	27,000
Probe Sensor	WP-02	For Pirani Vacuum Gauge	For SPS211Lx View port	OS-01	1 pc	12,000
	WI-T15	For Ionization Vacuum Gauge	For SPS511, 515S, 1000series	OS-02	1 pc	24,000
	P-9	For Pirani Vacuum Gauge	For SPS211Lx, 511, 515S, 1000series	OS-03	1 pc	28,800
	TRP-10-15	For Pirani Vacuum Gauge	For SPS511, 515S, 1000series	OS-13	1 pc	72,000
Oil for Vacuum Pump	R-4	2ℓ/can (For MB)	For SPS25, 1000, 2000, 3.20, 5.40, 7.40series	OS-04	1 can	7,200
	R-7	2.2ℓ/can (For RP)	"	OS-05	1 can	7,200
	SMR100	500mℓ/can 2can(1ℓ)/set	For SPS511, 515S	OS-06	1 set	9,600
	Ultragrade19/1ℓ		For SPS511, 515S	OS-16	1 can	9,600
Electrode Plate	For 5t	Lower Electrode Plate	For SPS211Lx	OS-07	1 pc	9,600
	For 2t	Lower Electrode Plate	For SPS211Lx	OS-08	1 pc	13,500
		Upper Electrode Plate	For SPS211Lx	OS-09	1 pc	13,500
Ram Cover	For 5t	Upper 80	For SPS511, 515S	RC-01	1 pc	22,800
		Lower 80	"	RC-02	1 pc	32,400
	For 10/20t	Upper 120	For SPS1000, 2000series	RC-03	1 pc	60,000
		Lower 120	"	RC-04	1 pc	60,000
	For25 Series	Upper 150	For 25series	RC-05	1 pc	63,600
		Lower 150	"	RC-06	1 pc	63,600
	For 20t	Upper 150	For SPS3.20series	RC-07	1 pc	75,600
		Lower 150	"	RC-08	1 pc	63,600
	For 50t	Upper 230	For SPS5.40series	RC-09	1 pc	144,000
		Lower 230	"	RC-10	1 pc	122,400
	For 100t	Upper 250	For SPS7.40series	RC-11	1 pc	168,000
		Lower 250	"	RC-12	1 pc	152,400
	For 2t	Upper	For SPS211Lx	RC-13	1 pc	39,000
		Lower	"	RC-14	1 pc	39,000
Water Cooled Plate	For 10/20t	Upper 120	For SPS1000, 2000series	SB-01	1 pc	216,000
		Lower 120	"	SB-02	1 pc	216,000
	For25 Series	Upper 150	For 25series	SB-03	1 pc	316,800
		Lower 150	"	SB-04	1 pc	316,800
	For 20t	Upper 150	For SPS3.20series	SB-05	1 pc	316,800
		Lower 150	"	SB-06	1 pc	316,800
	For 50t	Upper 230	For SPS5.40series	SB-07	1 pc	360,000
		Lower 230	"	SB-08	1 pc	360,000
	For 100t	Upper 250	For SPS7.40series	SB-09	1 pc	360,000
		Lower 250	"	SB-10	1 pc	360,000

Name	Model	Remarks	Gauge	Code No	Amount	Price (JPY)
O Ring	G-220	For SPS511, 515S	For Upper/Lower chamber opening part	OR-01	1 pc	4,300
	G-60	For SPS511, 515S	For Chamber front Quartz Window " 50LAB"	OR-02	1 pc	1,500
		For SPS25, 1000, 2000series	For Chamber side Quartz Window " 50"			
	G-35	For SPS511, 515S	For Chamber side Quartz Window " 25LAB"	OR-03	1 pc	300
	G-90	For SPS25, 1000, 2000series	For Chamber front Quartz Window " 80"	OR-04	1 pc	1,300
		For SPS3.20series	For Chamber side Quartz Window " 80"			
	V-325	For SPS25, 1000, 2000series	For Vacuum chamber opening part	OR-05	1 pc	8,400
	P-20	For SPS25, 1000, 2000, 3.20, 5.40, 7.40series	For Water cooled plate	OR-06	1 pc	200
	P-16	For SPS3.20series	For Water cooled plate	OR-07	1 pc	200
	V-480	For SPS3.20series	For Upper/Lower chamber opening part	OR-08	1 pc	21,800
	G-110	For SPS3.20series	For Chamber front Quartz Window " 100"	OR-09	1 pc	1,800
	V-585	For SPS5.40series	For Upper/Lower chamber opening part	OR-10	1 pc	30,000
	V-640	For SPS7.40series	For Upper/Lower chamber opening part	OR-11	1 pc	30,000
P-190	For SPS211Lx	For Chamber door	OR-12	1 pc	4,500	
G-55	For SPS211Lx	For Chamber front Quartz Window	OR-13	1 pc	1,200	

- We charge a transportation and packing fee separately.
- Above prices are EX-works basis.
- Please contact us for further information.
- We are able to supply customized specifications, such as molds for FGMS and so on.
- Specifications and prices are subject to change without notice.